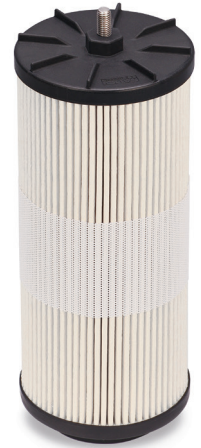

Developed for Tough Industrial Diesel Applications

Microfilters are used for the efficient removal of solids from diesel fuels. FAUDI Diesel FDF type microfilters are highly efficient and cost effective due to their large filter surface area.

FDF type microfilters are designed for use in industrial diesel filtration applications where high-flow rates are recommended. Incorporate microfilters in your overall contaminant and control systems.



Benefits

- Protect against contaminants overloading on-board filtration system
- Remove solid contaminants
- Prolong equipment uptime
- Extend service intervals

Application Areas

- Mining
- Refineries, Terminals & Tank Farms
- Power Generation & Gas Turbines
- Ships, Super Yachts & Marine Loading
- Rail & Road Transportation
- Other Bulk Diesel Transfer Applications

Technical Data

- Filtration ratings: 2, 5, 10, 25 μm
- Flow direction: Out-to-in
- Recommended change-out differential pressure: 1.7 bar (25 psi)
- Maximum pressure differential rating: 5.2 bar (75 psi)
- Operating temperature: Max. 80°C (176°F)
- Compatible with diesel and biodiesel blends

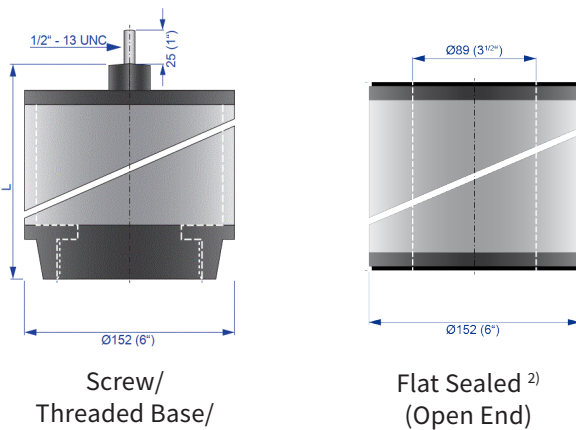
Standard Design

- Outside diameter: 152 mm (6 inch)
- Center tube: Epoxy-coated steel
- Gaskets: FKM (Viton®)
- End caps: Polyamide, reinforced glass fibre

Element Code



End Cap Design



Element Selection

Filtration ratings (µm)	Nominal Length L		Screw/ Threaded Base
	mm	inch	
2, 5, 10, 25	705 ¹	29 ¹	FDF-629-_TB
	834 ¹	33 ¹	FDF-633-_TB
	965 ¹	38 ¹	FDF-638-_TB
	1114	44	FDF-644-_TB
	1418	56	FDF-656-_TB

1) Non-standard length. These and other lengths are also available. Please inquire.
 2) Flat sealed end cap available upon request.