
Developed for Tough Industrial Diesel Applications

Microfilters are used to efficiently and continuously remove solids and reduce particulate concentration to meet fluid specifications. FAUDI Diesel FDF-Type microfilters are highly efficient and cost effective due to their large filter surface areas.

FDF-Type Microfilters are designed for use in industrial diesel filtration applications where high-flow rates are recommended. Incorporate FDF-Type microfilters in your overall contaminant and control systems.



Benefits

- Protect contaminant from overloading on-board filtration system
- Remove solid contaminants
- Extend equipment operational time between maintenance

Application Areas

- Mining
- Refineries, Terminals & Tank Farms
- Power Generation, Gas Turbines
- Ships, Super Yachts & Marine Loading
- All Bulk Diesel transfer applications

Technical Data

- Filtration ratings: 2, 5, 10, 25 μm
- Flow direction: Out-to-in
- Change-out differential pressure: 1.5 bar (22 psi)
- Maximum pressure differential rating: 5.2 bar (75 psi)
- Operating temperature: Min. -30°C (-22°F) / Max. 80°C (176°F)
- Storage time (max.): 60 months

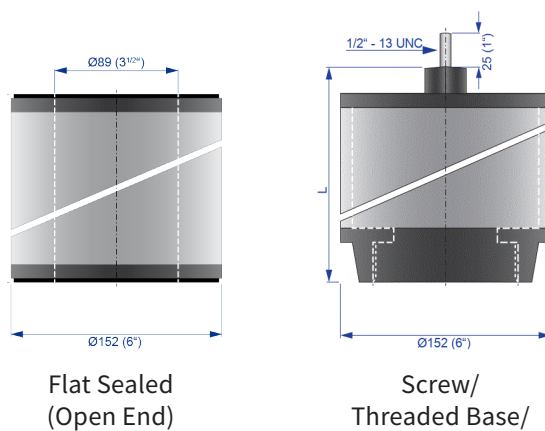
Standard Design

- Outside diameter: 152 mm (6 inch)
- Center tube: Epoxy-coated steel
- Gaskets: NBR (Buna-N)
- End caps: Polyamide, reinforced glass fibre

Element Code



End Cap Design



Element Selection

Nominal filtration (µm)	Nominal Length L		Flat Sealed (Open End)	Nominal Length L		Screw/ Threaded Base
	mm	inch		mm	inch	
2, 5, 10, 25	729 ¹⁾	29 ¹⁾	FDF-629- _	705 ¹⁾	29 ¹⁾	FDF-629- _TB
	844 ¹⁾	33 ¹⁾	FDF-633- _	834 ¹⁾	33 ¹⁾	FDF-633- _TB
	965 ¹⁾	38 ¹⁾	FDF-638- _	965 ¹⁾	38 ¹⁾	FDF-638- _TB
	1094	44	FDF-644- _	1114	44	FDF-644- _TB
	1422	56	FDF-656- _	1418	56	FDF-656- _TB

1) Non-standard length. This and other lengths not shown are also available. Please inquire.